

NOIX HEXAGONAL HEXAGONAL NUT



CARACTÉRISTIQUES/FEATURES :

MATÉRIEL/MATERIAL:

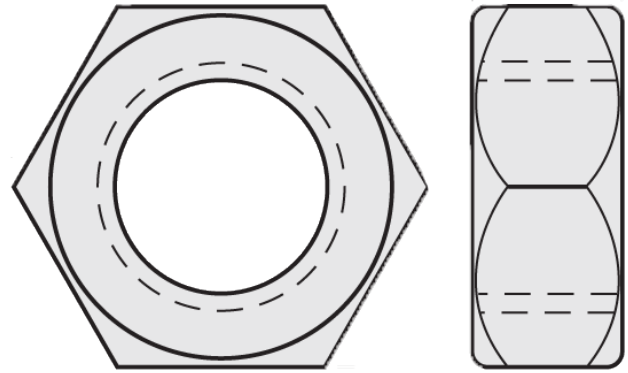
- Acier en carbone/Carbone steel.
- SS304
- SS316

FINISSION/FINISH:

- Electro galvanisé/Electro galvanized.

STANDARD:

- Galvanisé à chaud/Hot dip galvanized.



FILETAGE UNC/DIN THREAD

FILETAGE /THREAD	POIDS /WEIGHT	CODES
1/4"-20	3.3	NUT14
5/16"-18	4.9	NUT516
3/8"-16	7.2	NUT38
1/2"-13	17.0	NUT12
5/8"-11	33.2	NUT58
3/4"-10	53.5	NUT34
7/8"-9	86.1	NUT78



www.oneworldsupply.ca



514 378-0049

